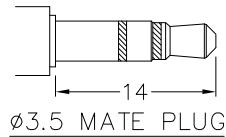
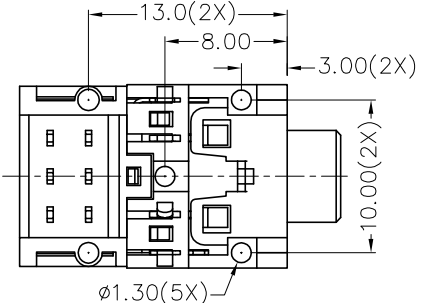
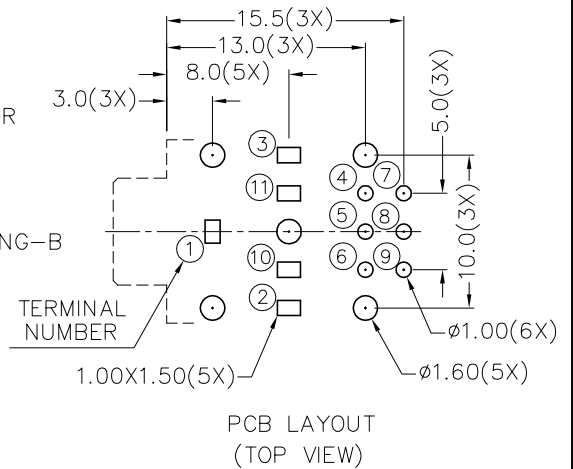
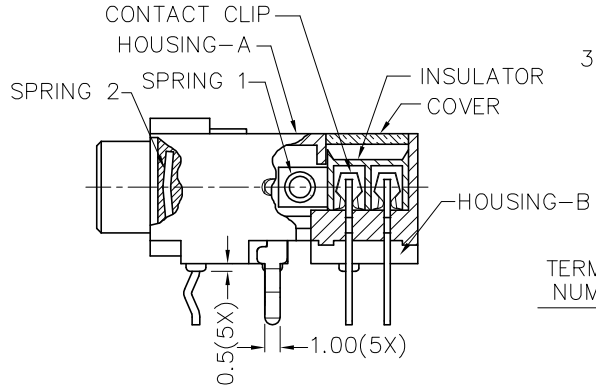
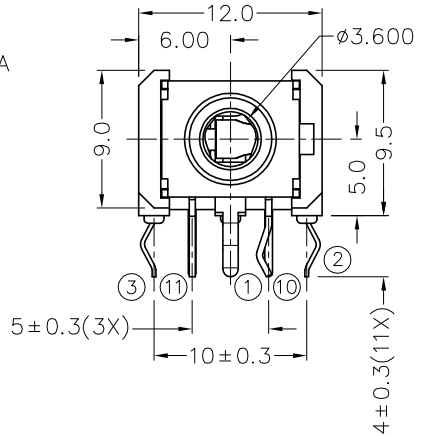
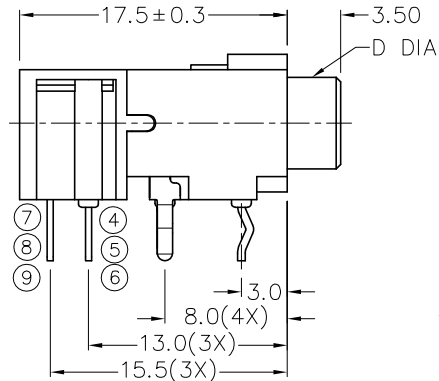
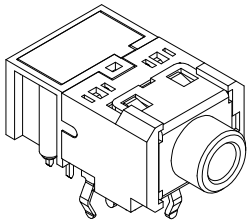


ZONE	SYMBOL	REVISION	APPROVAL	DATE
		UPDATE THE DWG.&DIM.	J.X.KUANG	27-7-2011

RoHS  
Compliant



- \* MATERIAL
- TERMINAL 1 : COLD ROLLED STEEL
  - TERMINAL 2 : COPPER ALLOY
  - TERMINAL 3 : COPPER ALLOY
  - TERMINAL 10 : BRASS
  - TERMINAL 11 : BRASS
  - TERMINAL 4,5,6,7,8,9 : BRASS
  - BUSHING : BRASS
  - HOUSING-A : PBT
  - HOUSING-B : PBT
  - COVER : PBT
  - INSULATOR : PA66
  - SPRING 1 : STAINLESS STEEL
  - SPRING 2 : COPPER ALLOY
  - CONTACT CLIP : C5210R-EH AG CLAD

THREADED	M6X0.5	MODEL NO.	TSH-3575N-22	TSH-3574AN-22	TSH-3574BN-22	TSH-3573N-22	TSH-3573AN-22
FLASHED	φ6.0	MODEL NO.	TSH-3575F-22	TSH-3574AF-22	TSH-3574BF-22	TSH-3573F-22	TSH-3573AF-22
D DIA	SCHEMATIC						

**CHAMPWAY** 冠泰電子有限公司  
CHAMPWAY ELECTRONICS CO., LTD.

PART NAME	3.5mm STEREO JACK	TOLERANCE UNLESS	0.0±0.2	UNIT:
PART NO.	TSH-357-22	OTHERWISE SPECIFIED:	0.00±0.1 0.000±0.05	

DESIGN	J.X.KUANG	DATE	6-10-2003	SCALE	2:1
DRAWING	T.Y.LI	DATE	27-7-2011	MATERIAL	*
CHECK		DATE		DWG. NO.	TZ\SH357-22-PBT/D
APPROVAL		DATE		SHEET	